



US00D575005S

(12) **United States Design Patent**
Gomez

(10) **Patent No.:** **US D575,005 S**

(45) **Date of Patent:** **** Aug. 12, 2008**

(54) **HAIR ACCESSORY ORGANIZER DEVICE**

(76) Inventor: **Joyce L. Gomez**, 112 Rue Chateau,
Slidell, LA (US) 70461

(**) Term: **14 Years**

(21) Appl. No.: **29/277,620**

(22) Filed: **Mar. 2, 2007**

(51) **LOC (8) Cl.** **28-03**

(52) **U.S. Cl.** **D28/75; D28/73**

(58) **Field of Classification Search** D28/18,
D28/73, 75; D3/901; D6/411; 211/85.2,
211/85.3, 13.1; 320/115; 206/823, 581

See application file for complete search history.

(56) **References Cited**

U.S. PATENT DOCUMENTS

D32,043	S	*	12/1899	Kingsbery	D6/411
D143,698	S	*	2/1946	Amt	D6/411
2,456,527	A	*	12/1948	Moore	211/85.3
D241,207	S	*	8/1976	West	D28/73
D347,939	S	*	6/1994	Volkman	D28/73
6,601,714	B2	*	8/2003	Bladek	211/85.2
6,991,118	B2	*	1/2006	Phillips	211/85.3
7,028,853	B1		4/2006	Simms	211/85.3
2005/0194334	A1	*	9/2005	Johnson	211/85.2

* cited by examiner

Primary Examiner—Jennifer Rivard

(74) *Attorney, Agent, or Firm*—West and Associates, A PC;
Stuart J. West; Charlotte Rodeen-Dickert

(57) **CLAIM**

An ornamental design for a hair accessory organizer device,
as shown and described.

DESCRIPTION

FIG. 1 depicts a front view of the hair accessory organizer device.

FIG. 2 depicts a back view of the hair accessory organizer device.

FIG. 3 depicts a right elevation of the hair accessory organizer device.

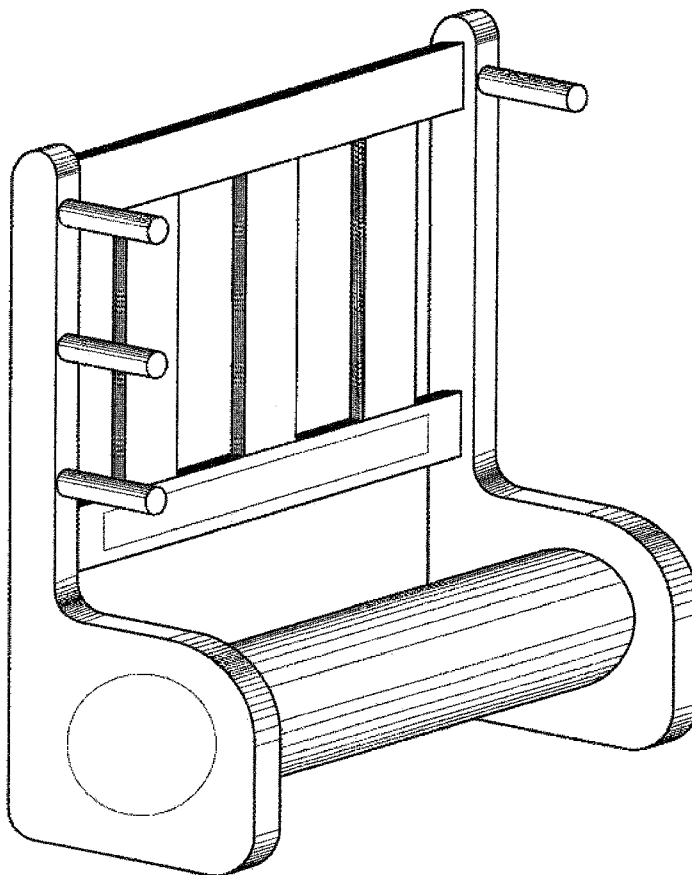
FIG. 4 depicts a left elevation of the hair accessory organizer device.

FIG. 5 depicts a plan view of the hair accessory organizer device.

FIG. 6 depicts a bottom view of the hair accessory organizer device; and,

FIG. 7 depicts a perspective view of the hair accessory organizer device.

1 Claim, 5 Drawing Sheets



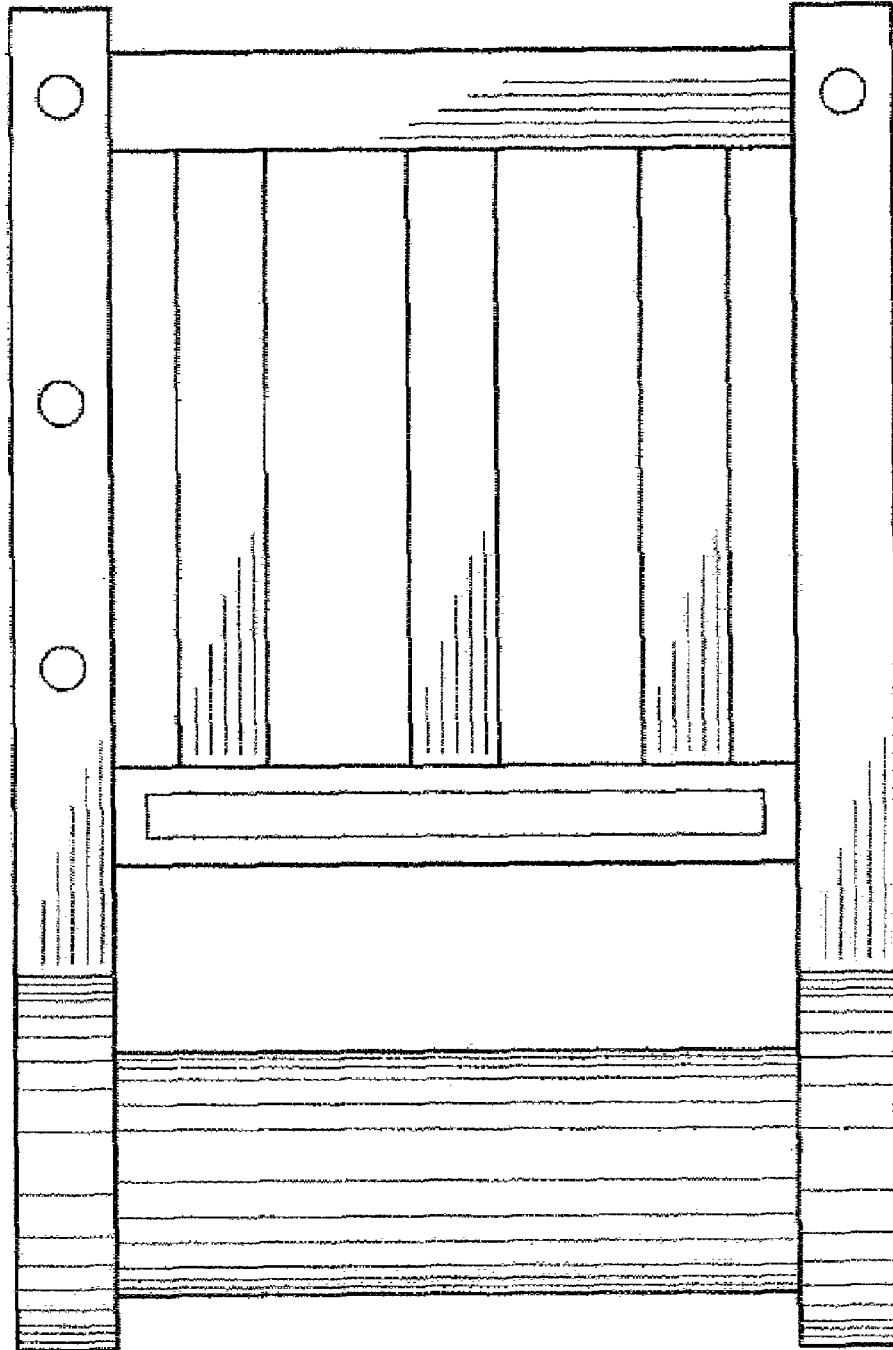


Fig. 1

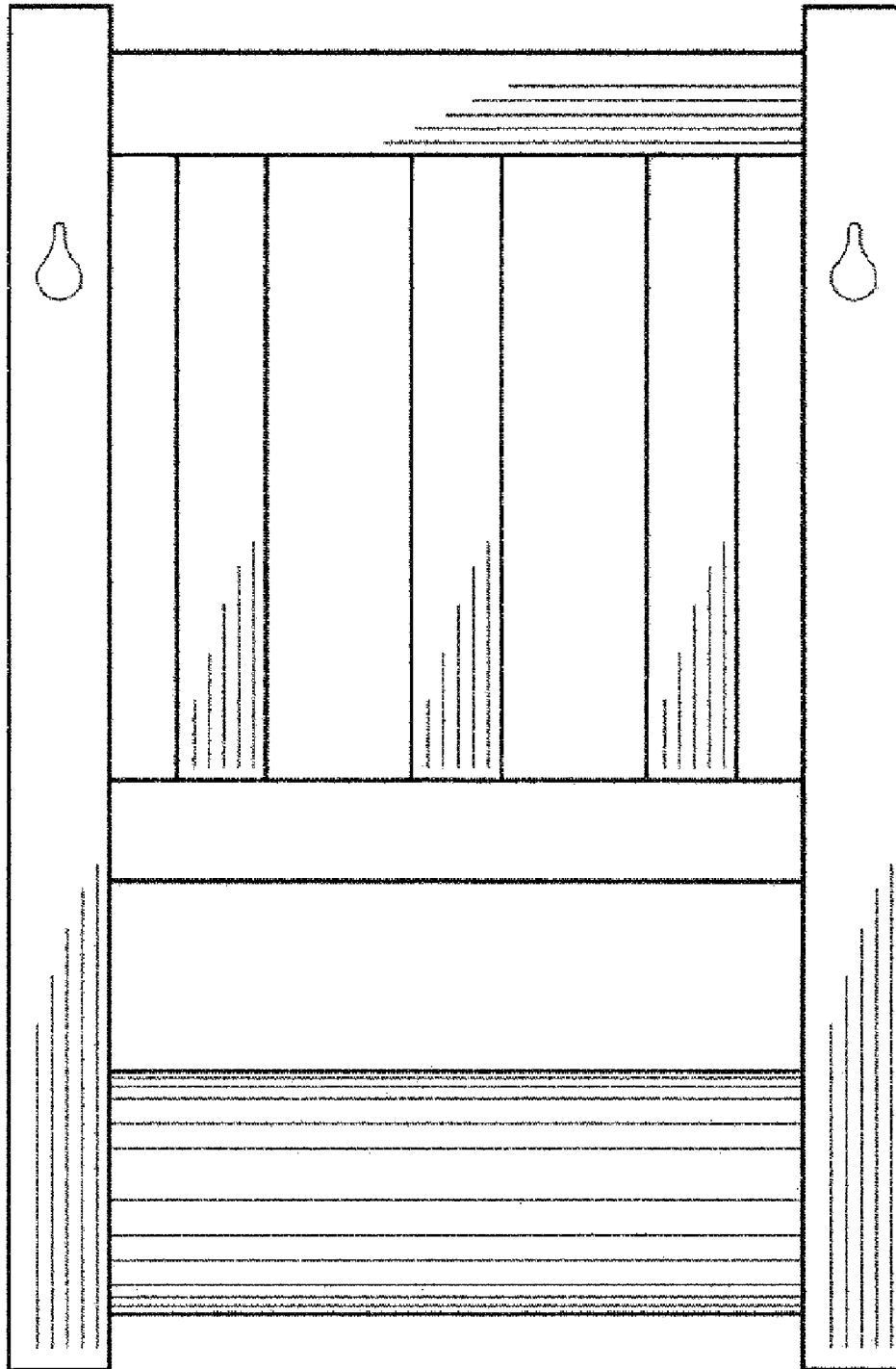


Fig. 2

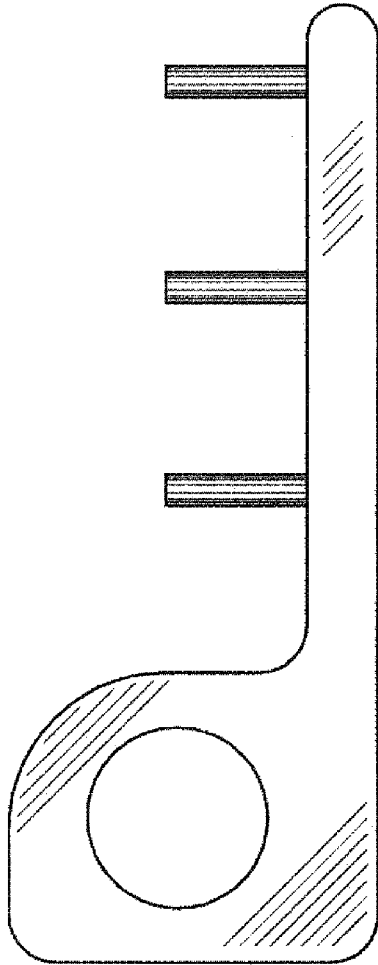


Fig. 3

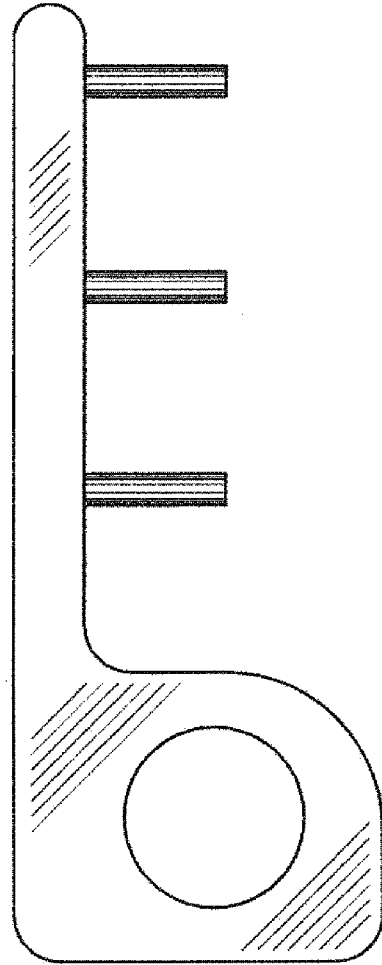


Fig. 4

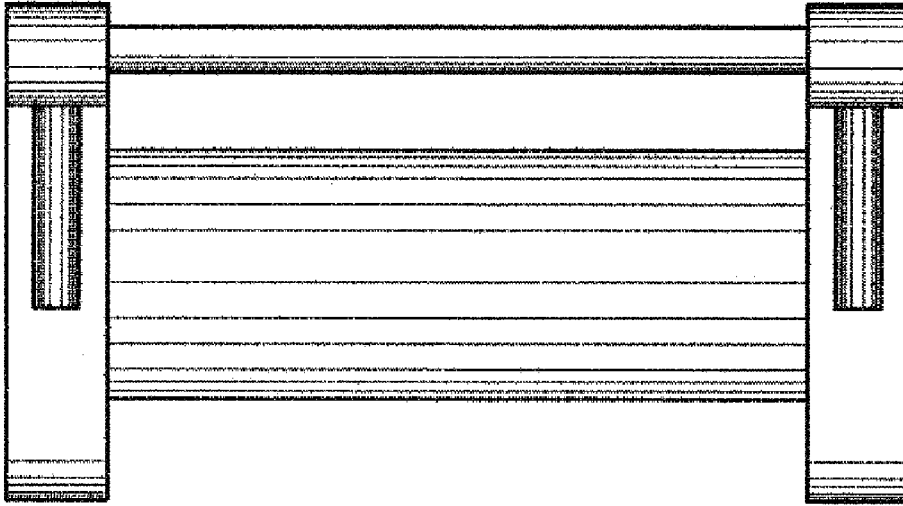


Fig. 5

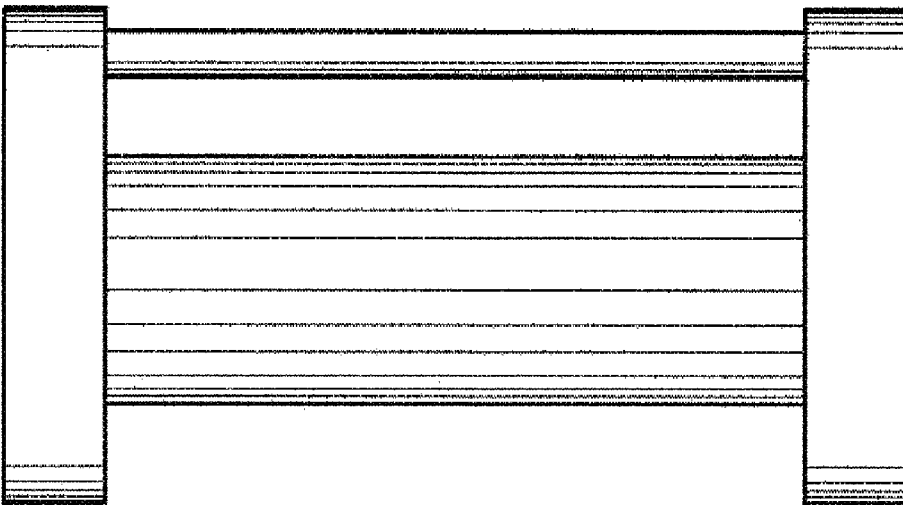


Fig. 6

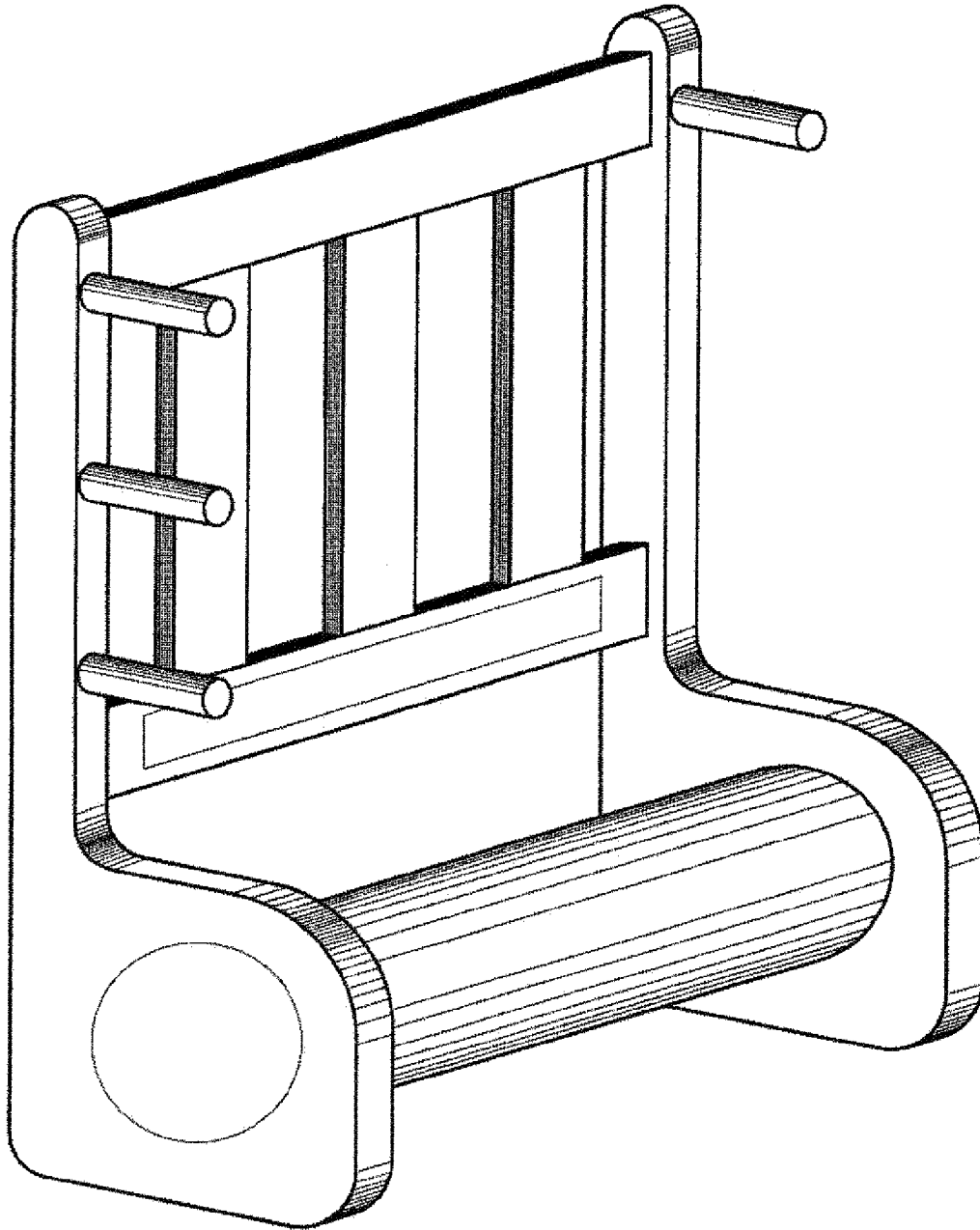


Fig. 7